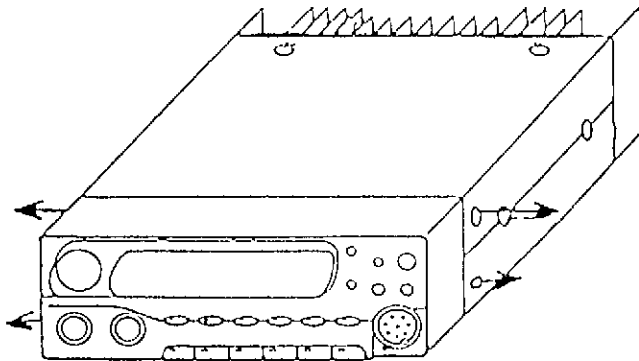


ALINCO DR-599T / DR-600T EXTENDED FREQUENCY MODIFICATION

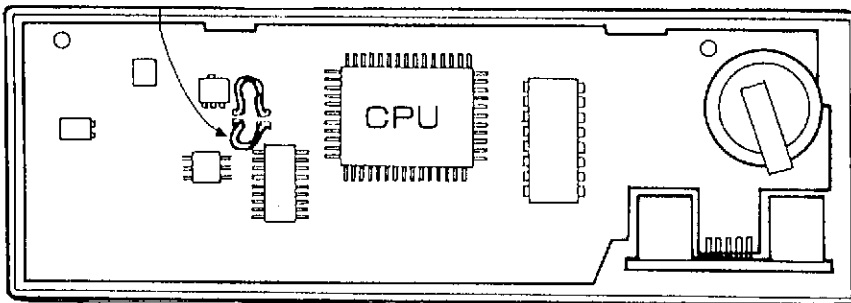
1. Disconnect both the antenna and power cable.
2. Remove the 4 screws, (2 on each side), holding the control head to the main unit.
3. Remove the 2 screws holding the control head together.
4. Gently separate the back cover of the control head from the front cover.
5. Locate the two jumper wires on the circuit board.
-Cut the RED wire for Airband and 800 MHz receive. *
(The ALINCO accessory EAK-599 is required to receive frequencies on the 800 MHz band. Please see the next page for details.)
7. Reassemble the radio and reset the CPU. (Push and hold the "Function" key, then turn the power on.
8. After modification press the VHF button until you see an airband frequency in your display.



Remove these screws.

Control unit located on the reverse side of the front panel.

Cut this jumper wire.



WARNING: MODIFICATION MAY VOID YOUR WARRANTY IF RADIO FAILURE IS DUE TO ANY ERROR IN THE MOD PROCESS.

* 800 MHz RECEIVE IS NOT POSSIBLE WITH THE DR-600TB MODEL TRANSCEIVER DUE TO CHANGES IN FCC REGULATIONS.